

TIVA Microcontroller Pin Assignments

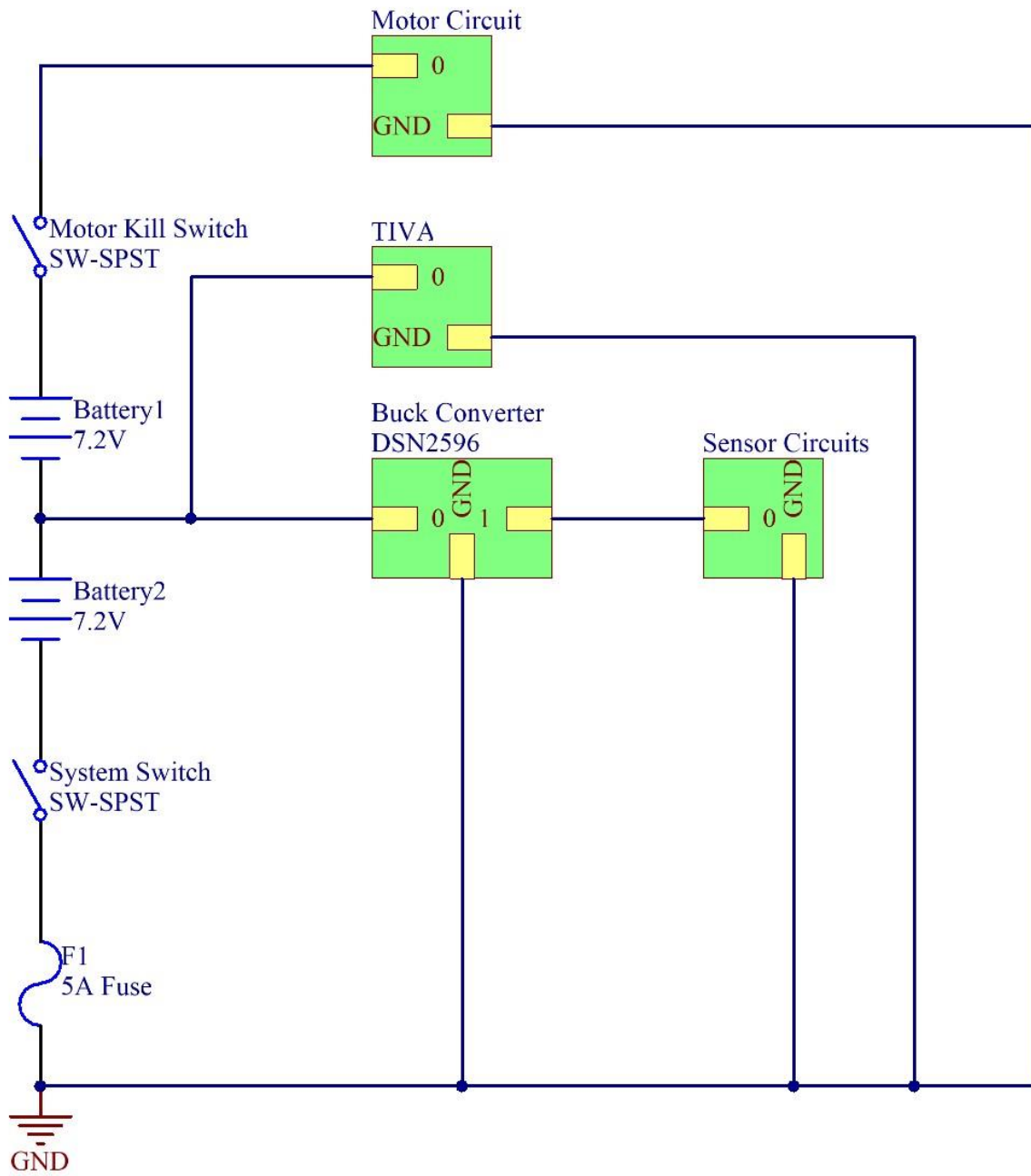
	1	PB0	PA2	20	SPUD SCK
<u>REAR LIMIT SWITCH</u>	2	PB1	PA3	19	SPUD SS
<u>COLOR SENS. SCL</u>	3	PB2	PA4	18	SPUD MISO
<u>COLOR SENS. SDA</u>	4	PB3	PA5	17	SPUD MOSI
<u>L MOTOR DIR</u>	5	PB4	PA6	16	FR LIMIT SW 1
<u>R MOTOR DIR</u>	6	PB5	PA7	15	FR LIMIT SW 2
<u>L MOTOR PWM</u>	7	PB6	PC4	14	L ENCODER
<u>R MOTOR PWM</u>	8	PB7	PC5	13	R ENCODER
	9	NC	PC6	12	IR DETECTOR
	10	GND	PC7	11	BEAM BREAK

Tiva_20

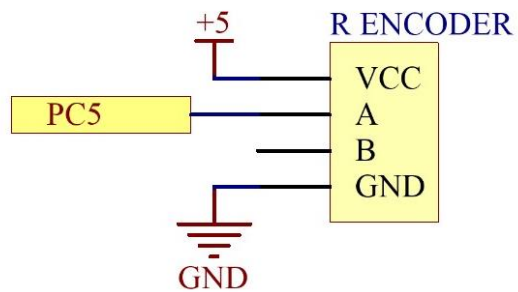
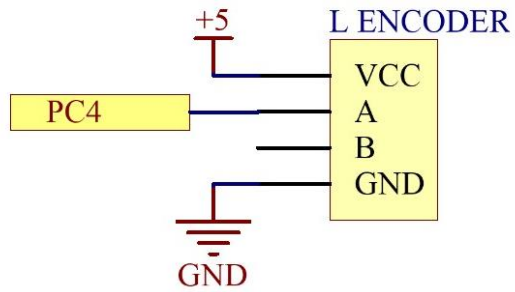
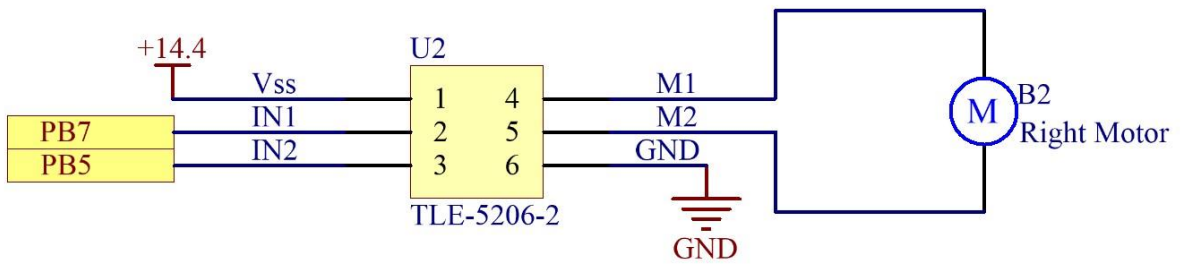
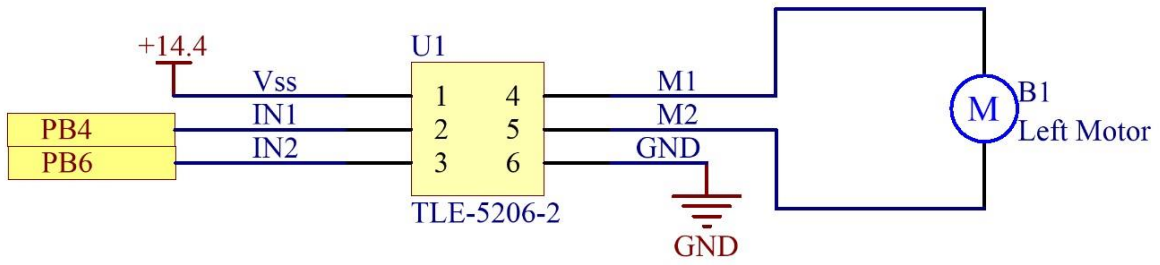
	1	NC	NC	24	
	2	GND	PD0	23	ACC SCK
	3	PE0	PD1	22	ACC SS
	4	PE1	PD2	21	ACC MISO
<u>COMPANY LED</u>	5	PE2	PD3	20	ACC MOSI
<u>MINING LED</u>	6	PE3	NC	19	
<u>COMPANY SWITCH</u>	7	PE4	NC	18	
<u>ELECTROMAGNET</u>	8	PE5	PD6	17	
	9	PF4	PD7	16	
	10	PF3	PF0	15	
	11	PF2	PF1	14	
	12	NC	NC	13	

Tiva_24

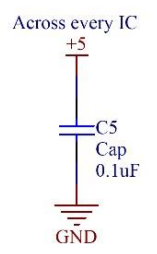
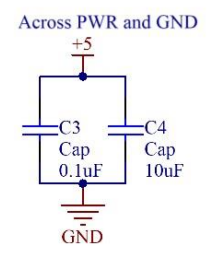
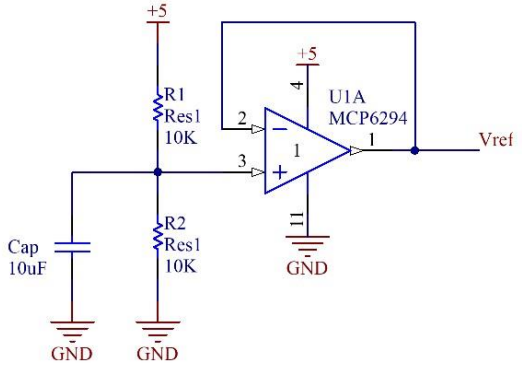
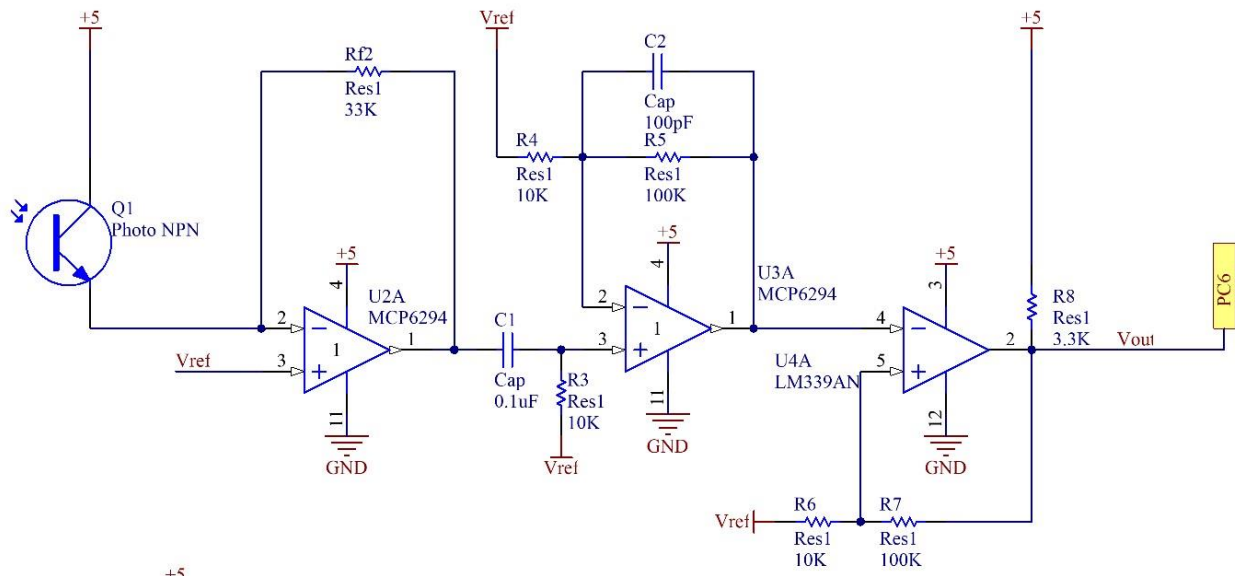
Power Distribution



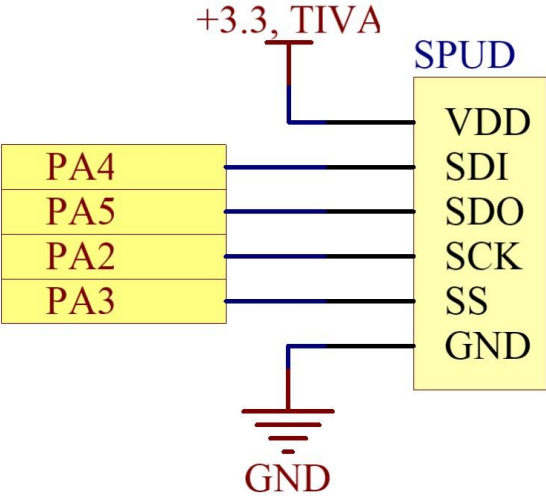
Motor Drive



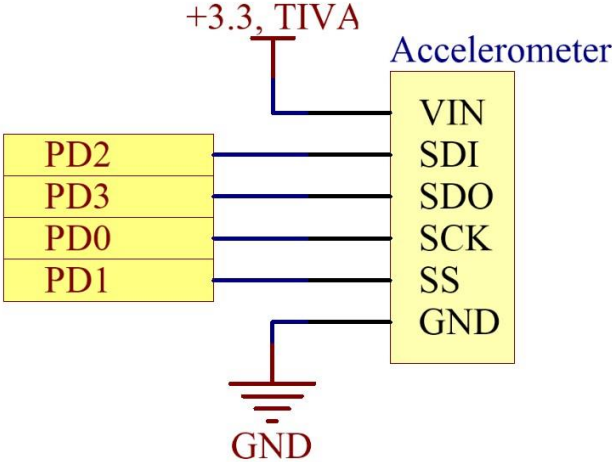
IR Detection



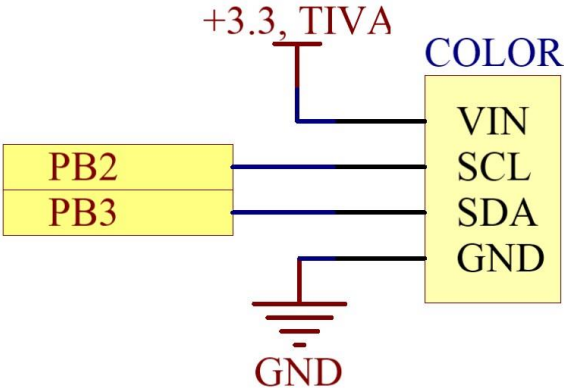
SPUD Communication



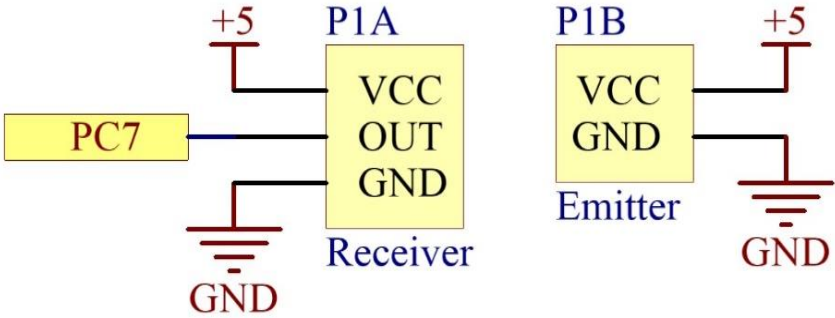
Accelerometer



Color Sensor

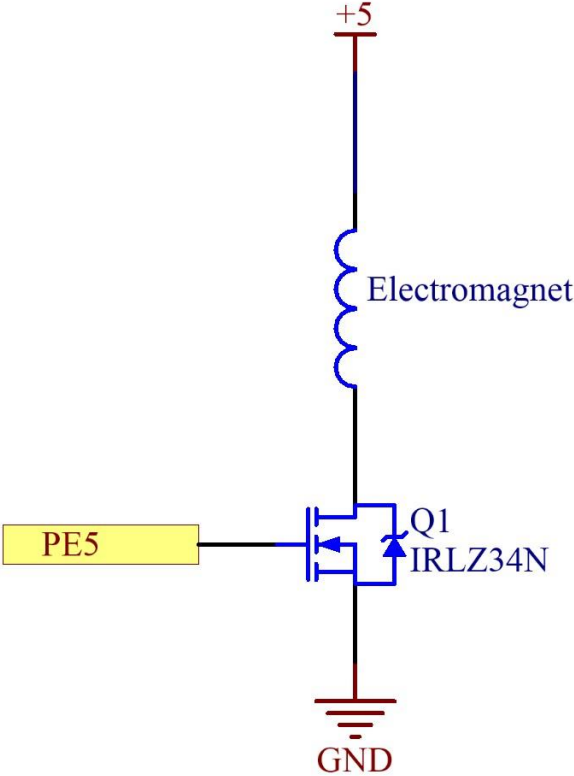


Beam Break

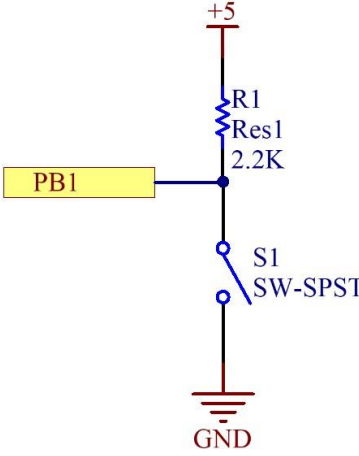


Beam Break QT50CM

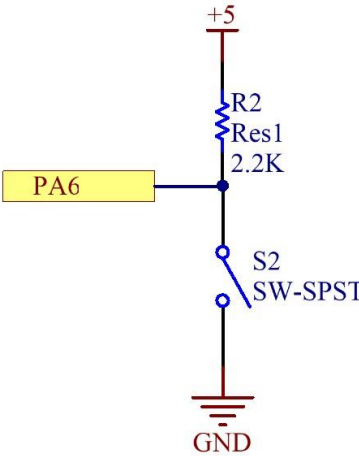
Electromagnet



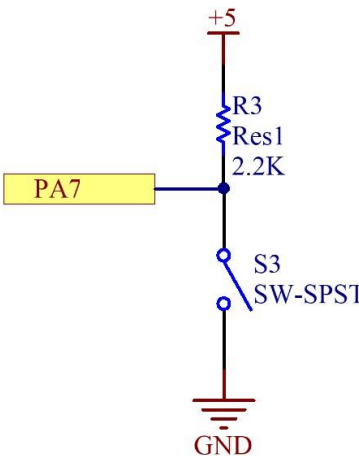
Limit Switches



Rear Limit Switch



Front Left Limit Switch



Front Right Limit Switch

LEDs

